

General

MYSON **GEM** series towel warmers are constructed of superior grade stainless steel, available in a polished or a matte finish. All models utilize a dry element resistance cable that is woven through the entire interior of the towel warmers during the assembly process. The wattage of each element is specifically matched to the model and size of each unit to provide a constant, even surface temperature over the entire unit. All factory joints are spot welded to insure durability and stability through years of use. Each unit is controlled by a lighted on/off rocker switch located at the top of the right side vertical bar. All **GEM** towel warmers are 120V 60Hz and have a heavy duty, white, integral power cord that extends up to 4 feet. Every unit is supplied with a wall mounting kit complete with all hardware required for installation. An optional **Hard Wire Kit** is available for all models.

MYSON **GEM** series towel warmers are available three distinct models in several sizes to fit every design criteria.

PEARL:

The PEARL Model is available in 2 wall mount sizes and 1 portable, free standing style.

PEARL models are 24 inches wide with heights of 30 and 36 inches. Each is constructed of high quality 201 stainless steel with round horizontal and vertical bars.

DIAMOND:

The DIAMOND Model is available in 3 wall mount sizes.

PEARL models are 20 inches wide with heights of 16 1/2, 30 and 45 inches and are constructed of high quality 304 stainless steel with ovalsque horizontal and vertical bars.

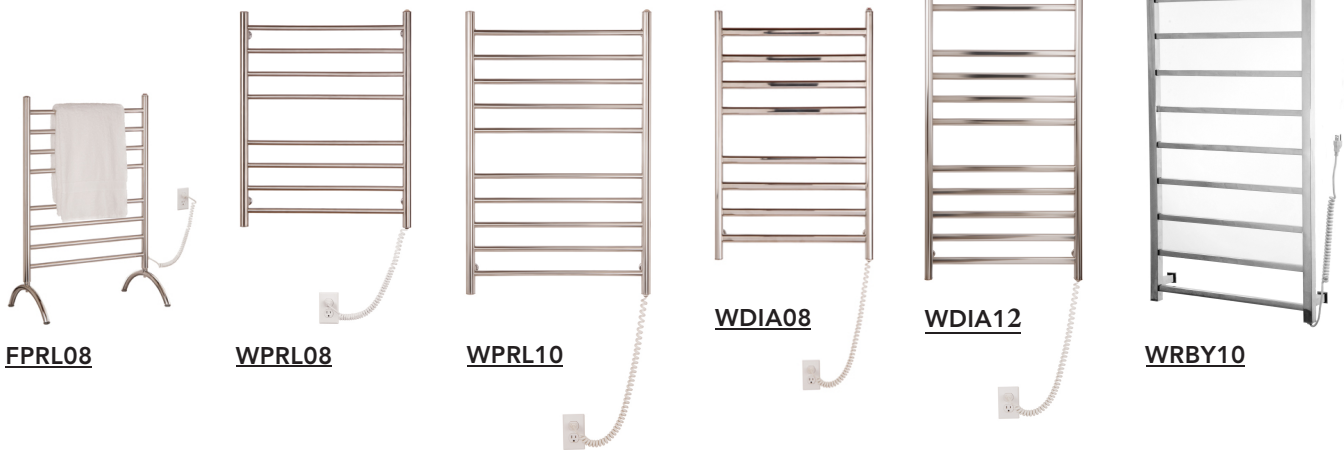
RUBY:

The RUBY Model is available in 2 wall mount sizes.

RUBY models are 23 1/2 inches wide with heights of 15 1/2 and 46 inches. Each is constructed of high quality 201 stainless steel with square horizontal and vertical bars.

Finishes:

All models are available in either a bright polished or a brushed matte finish.



Quality certificates



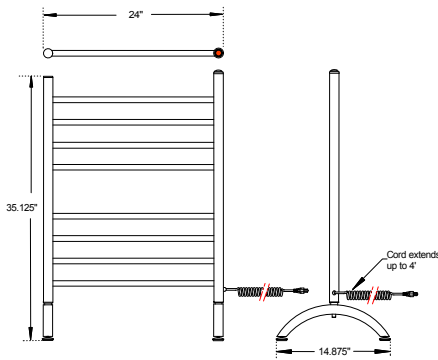
Warranty:
 MYSON GEM Series towel warmers are backed by a 2 year warranty.



Approval:
 All MYSON GEM Series towel warmers are ETL certified.

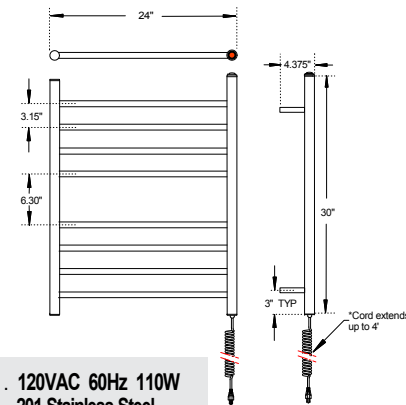
DISTRIBUTED BY:

PEARL, DIAMOND and RUBY models



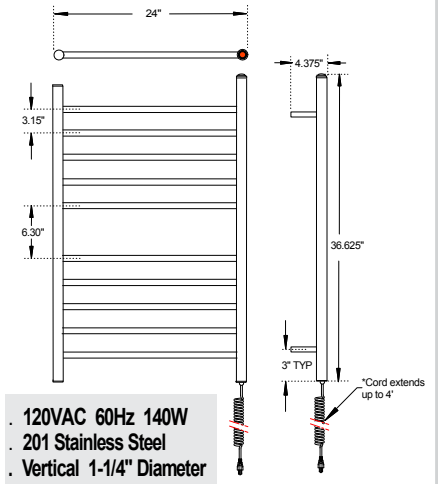
- . 120VAC 60Hz 110W
- . 201 Stainless Steel
- . Vertical 1-1/4" Diameter
- . Horizontal 3/4" Diameter
- . Heavy - Duty Cord
- . Portable

FPRL08



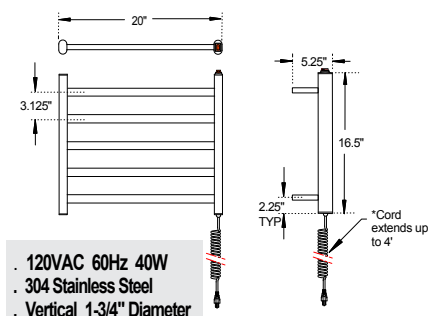
- . 120VAC 60Hz 110W
- . 201 Stainless Steel
- . Vertical 1-1/4" Diameter
- . Horizontal 3/4" Diameter
- . Heavy - Duty Cord

WPRL08



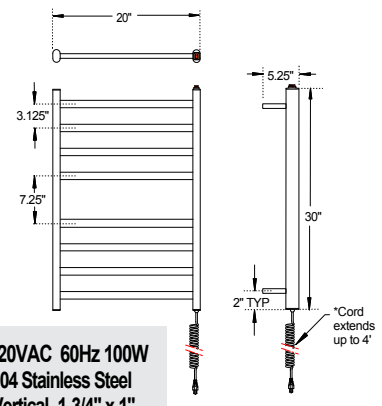
- . 120VAC 60Hz 140W
- . 201 Stainless Steel
- . Vertical 1-1/4" Diameter
- . Horizontal 3/4" Diameter
- . Heavy - Duty Cord

WPRL10



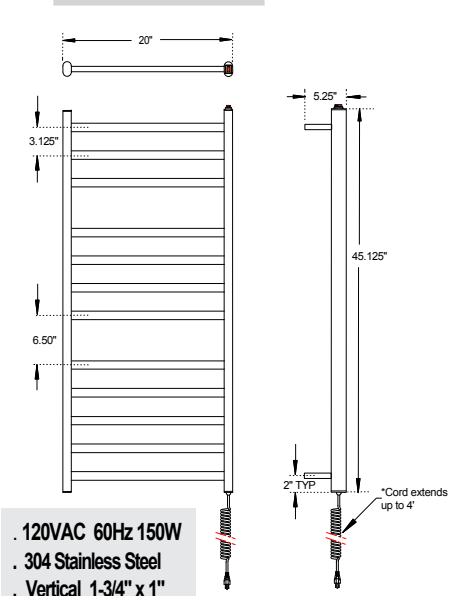
- . 120VAC 60Hz 40W
- . 304 Stainless Steel
- . Vertical 1-3/4" Diameter
- . Horizontal 3/4" Diameter
- . Heavy - Duty Cord

WDIA05



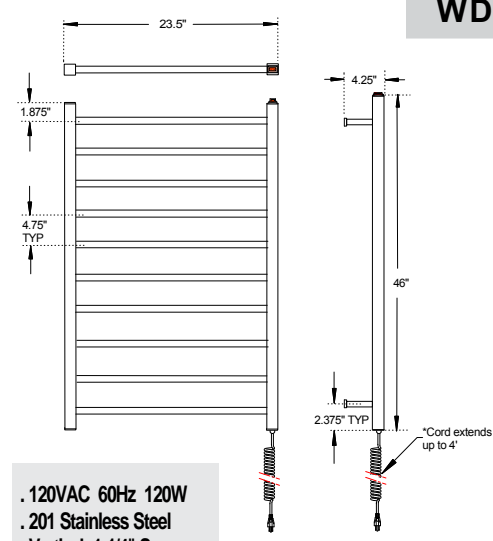
- . 120VAC 60Hz 100W
- . 304 Stainless Steel
- . Vertical 1-3/4" x 1"
- . Horizontal 1" x 5/8"
- . Heavy - Duty Cord

WDIA08



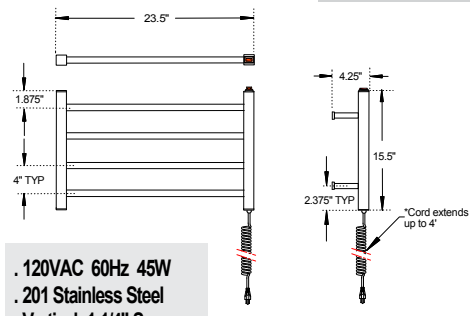
- . 120VAC 60Hz 150W
- . 304 Stainless Steel
- . Vertical 1-3/4" x 1"
- . Horizontal 1" x 5/8"
- . Heavy - Duty Cord

WDIA12



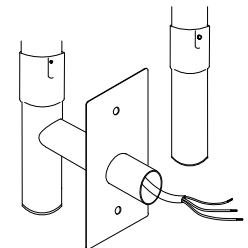
- . 120VAC 60Hz 120W
- . 201 Stainless Steel
- . Vertical 1-1/4" Square
- . Horizontal 3/4" Square
- . Heavy - Duty Cord

WRBY10



- . 120VAC 60Hz 45W
- . 201 Stainless Steel
- . Vertical 1-1/4" Square
- . Horizontal 3/4" Square
- . Heavy - Duty Cord

WRBY04



* Hardwire kit is available for all styles and finishes

HRDWxx

All Dimensions are nominal